

511-103 Boarding Net

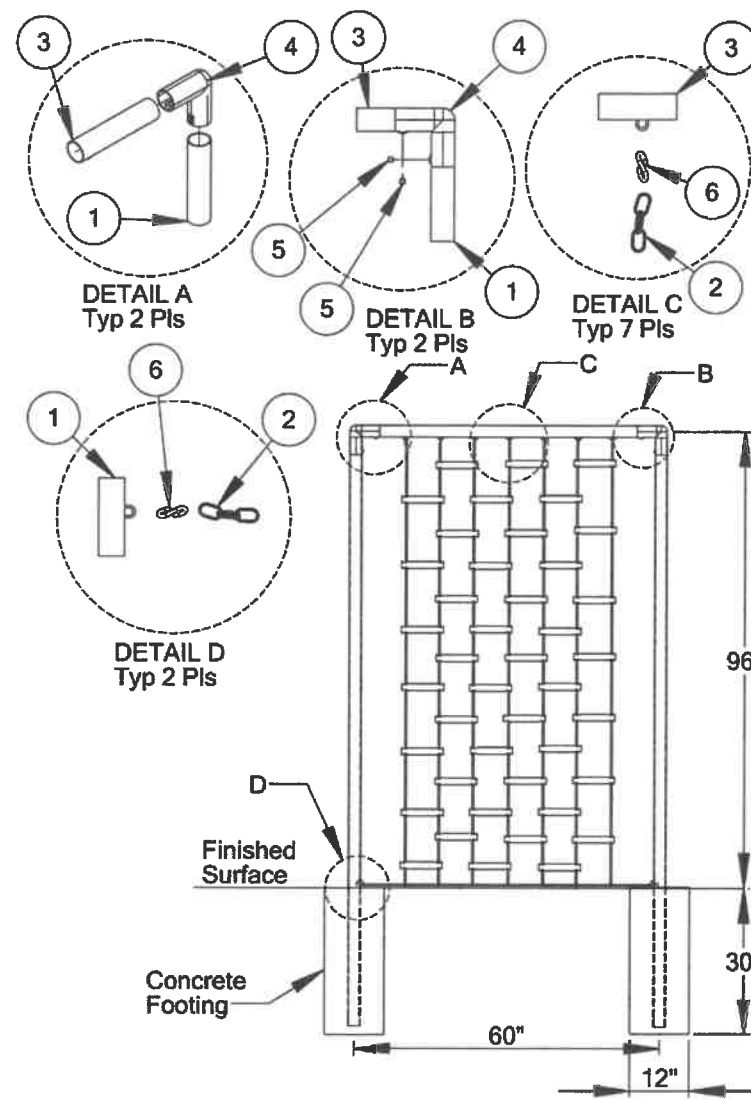
Packing List

1	CTN			Hardware Bag
		1	103-411	Boarding Net
		2	502-501	Elbow 2 7/8" OD 8 ga
1	BDL	2	513-603	Net Post 2 3/8"OD x 10' 11 ga
		1	103-202	Net Bar 2 3/8" x 5' 12 ga

Hardware Bag

4	196-802	1/2" x 1/2" Socket Set Screw
9	585-901	S-Hook
1	416-400	1/4" Socket Key
1	805-535	Warning Label
1	805-534	SportsPlay Label
1		Maintenance Checklist

1 CTN	1 BDL	2 TOTAL PCS
WEIGHT 110#		CLASS 70



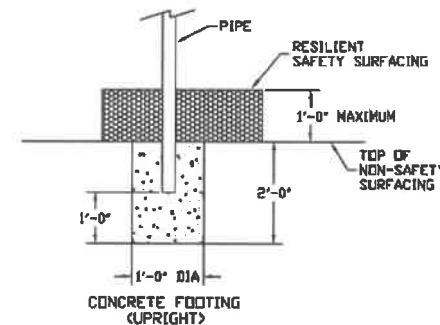
Please retain these instructions in your files. It contains important replacement parts information. All equipment should be installed in accordance with these instructions.

It is important to use and maintain all public playground equipment properly. Playground equipment which is improperly maintained can cause serious injury. Periodical inspections, maintenance, repair and/or replacement of damaged parts is necessary for safe operation of equipment and safety of users. Resilient surfacing should be used under ALL playground equipment. Appropriate publications, available at no charge, from the Consumer Product Safety Commission, include "A Handbook for Public Playground Safety". You can receive your free copy by calling 1-310-504-7908.

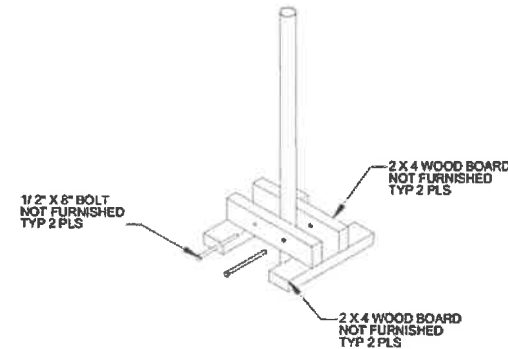
General Use/Fall Zone & Footing Recommendations

Stationary and portable equipment – use/fall zones should extend a MINIMUM of 6 feet in all directions from the perimeter of the equipment ground space. This area should be covered with the required amount of resilient safety surfacing material. For some equipment – use/fall zones can overlap. See Consumer Product Safety Commission guidelines. Diameter and depth of footing illustrated are satisfactory in most applications for pipe sized up to 2 3/8" diameter. Varying soil and climactic conditions may require deeper and heavier footings in some areas. Check local building codes. If resilient surfacing is to be less than 12", then additional pipe should be put in concrete to maintain proper finish grade for equipment.

Concrete Footing/Suggested Bracing:



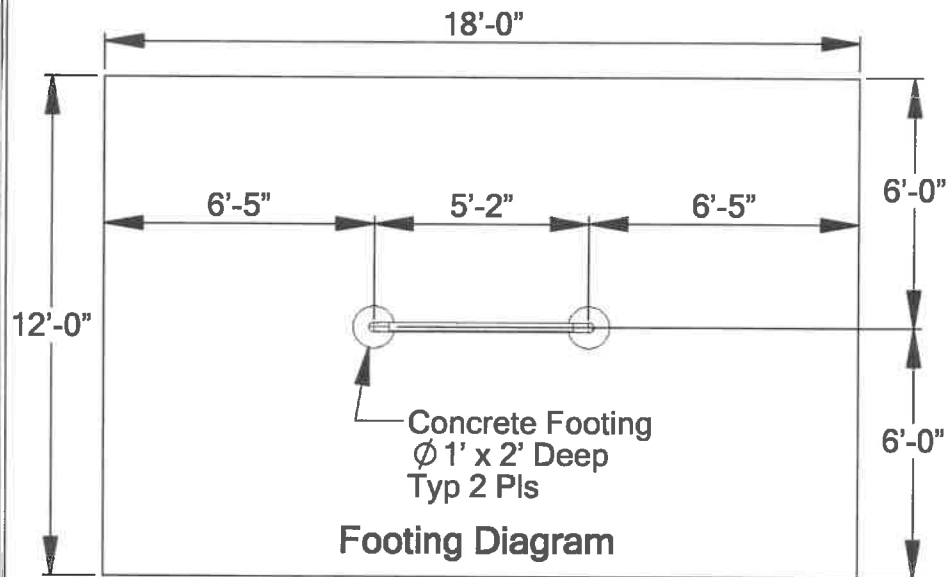
SUGGESTED BRACING METHOD



511-103 Boarding Net

Page 3 of 3
rev: 05/25/2005

Use Area & Footing Layout:



unit has been plumbed and leveled. After assembly is complete, ANY ENDS OF BOLTS PROTRUDING BEYOND NUTS SHOULD BE CUT OFF AND/OR PEENED OVER TO REMOVE ANY SHARP EDGES. Go over entire unit to file smooth any sharp edges or projections that may have been caused by rough handling in shipping or installation. T-Clamps are designed for both one and two bolt connections. In many situations only one bolt is required. See specific assembly instructions. On products with platforms, install 1-2 degrees off level to facilitate water drainage.

General Maintenance Instructions:

Check MONTHLY for loose bolts, damaged or broken parts. Tighten and/or replace immediately.

Specific Instructions:

NOTE: All threaded ends of bolts protruding beyond nuts must be cut off and/or peened to eliminate sharp edges. No more than two threads should extend beyond face of nut.

1. Mark & dig footing holes per drawing found above/left.
2. Assemble on the ground. Attach elbows (503-501) to each end of the Net Bar (103-202) per Detail A found on page 1.
3. Attach posts (513-603) to each of the Elbows (503-501) per Detail B found on page 1.

General Assembly Instructions:

Check all parts and hardware with the packing list to be sure you have received everything needed to assemble this product. CONTACT YOUR DISTRIBUTOR WITH NOTIFICATION OF ANY MISSING OR DAMAGED PARTS. Contact must be made within ten days of receipt of your order.

Only hand-tighten nuts and bolts on initial assembly. Final tightening should be done EVENLY after final assembly when

511-103 Boarding Net

Page 4 of 4
rev: 05/25/2005

4. Assemble Net (103-141) to Net Bar Assembly with S-Hooks (585-901) per Details C and D found on page 1. Make sure ends of S-Hooks are closed.
5. Stand upright & brace in footing holes. Attach braces to legs to hold proper height of top bar at 8'. Length of pipe below intended level of resilient surfacing should be approximately 24"
6. Plumb & level. Tighten all set screws using short length of pipe with socket key to add leverage. Pour concrete. Let stand 48 hours before removing braces, installing resilient surfacing and using equipment.
7. Attach Warning label and Manufacturer's Identification label to a clean surface out of the way of hand/foot traffic. They should be attached in a location where they are clearly visible and legible and away from normal hand and foot placement areas. The labels must be replaced if they become illegible, destroyed or removed. Contact your distributor for replacement labels.